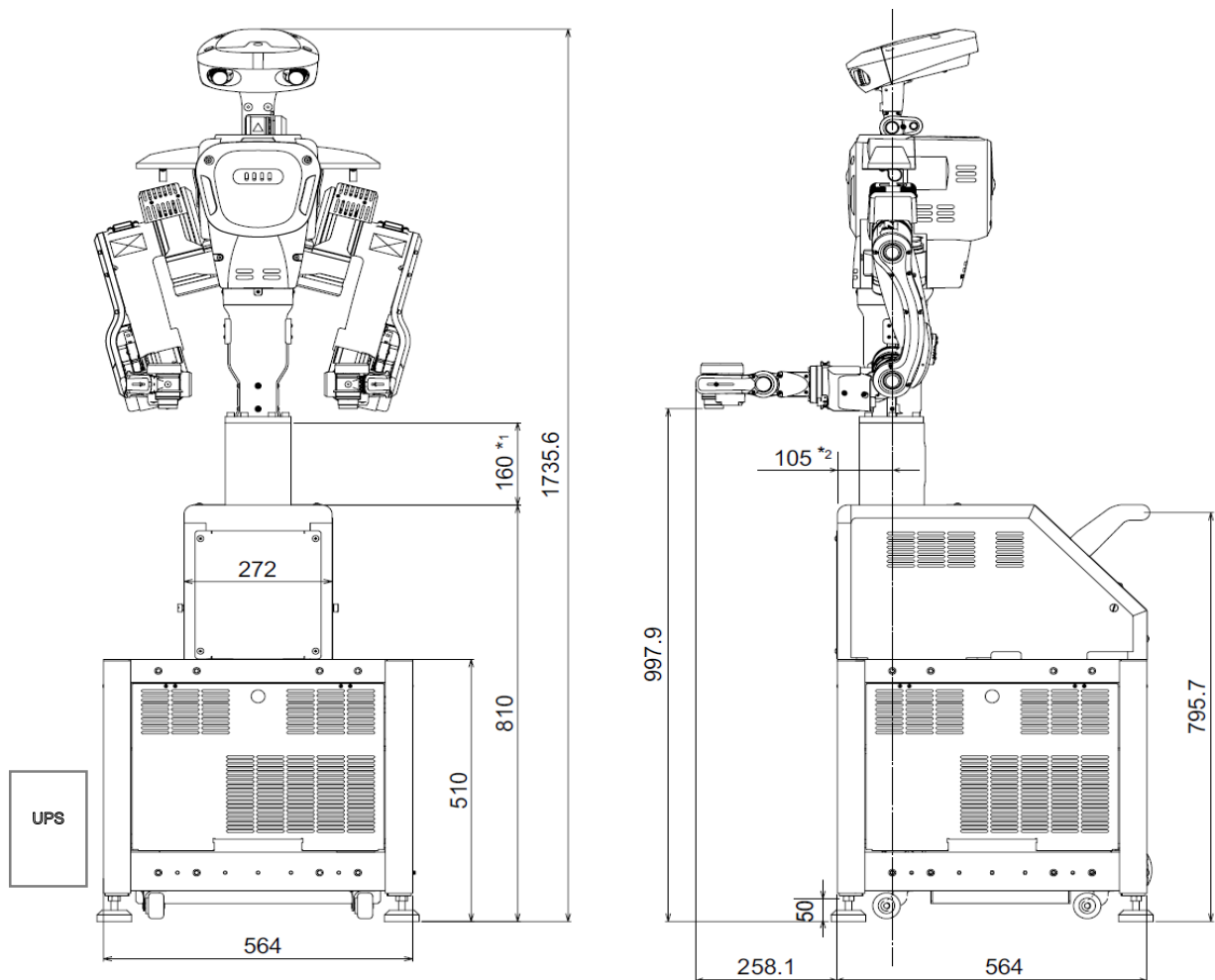


Dimensions Robot NEXTAGE



*1 Standard height adapter length

*2 Dimension from the largest projection excluding the adjuster pad

Total mass: Approx. 130kg

Unit: mm